

# Data sheet

Title: CHIP FUSE; RECTANGULAR TYPE

Style: SBF32 [Optional code:AS]

RoHS COMPLIANCE ITEM  
Halogen and Antimony Free

- Note:
- Stock conditions  
Temperature: +5°C ~ +35°C  
Relative humidity: 25% ~ 75%  
The period of guarantee: Within 2 year from shipment by the company.  
Solderability shall be satisfied.
  - Product specification contained in this data sheet are subject to change at any time without notice
  - If you have any questions or a Purchasing Specification for any quality Agreement is necessary, please contact our sales staff.



**釜屋電機株式會社**  
**KAMAYA ELECTRIC CO., LTD.**

Hokkaido Research Center  
Approval by: T. Sannomiya  
Drawing by: M. Shibuya

## 1. Scope

1.1 This data sheet covers the detail requirements for chip fuses; rectangular type, style of SBF32 [Optional code: AS].

## 1.2 Applicable documents

UL248-1-2000 Low-Voltage Fuses-Part1: General Requirements

UL248-14-2000 Low-Voltage Fuses-Part14: Supplemental Fuses

CSA C22.2 No.248.1-2000 Low-Voltage Fuses-Part1: General Requirements

CSA C22.2 No.248.14-2000 Low-Voltage Fuses-Part14: Supplemental Fuses

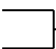
## 2. Classification

Type designation shall be the following form.

(Example) 

SBF	32	802	AS	TP
1	2	3	4	5

Style

1 Chip fuses; rectangular type  Style

2 Size

3 Rated current

802	802--> 8.0,A
-----	--------------

4 Optional code

Symbol	Optional code
AS	Standard

5 Packaging form

TP	Paper taping
----	--------------

## 3. Safety standard approval

- UL248-1 and UL248-14
- CSA C22.2, No. 248.1-00 and CSA C22.2, No. 248.14-00

The file number to be designated by UL and C-UL shall be as follows: E176847

## 4. Rating

4.1 The ratings shall be in accordance with Table-1.

Table-1

Style	Rated current			Internal resistance value (mΩ Typ.)	Rated voltage (Vdc)	Breaking capacity (A)	Time / current characteristic	
	Symbol	(A)	Marking symbol				Current	Pre-arcing time
SBF32	102	1.0	S10	130	63	50	100% 200% 300% 800%	4h min. 1~120s max 0.02s~3.0s max 0.0015s~0.05s max
	132	1.25	S13	94				
	152	1.5	S15	68				
	202	2.0	S20	40				
	252	2.5	S25	30				
	302	3.0	S30	24	32			
	402	4.0	S40	15				
	502	5.0	S50	12				
	602	6.0	S60	10				
	702	7.0	S70	7				
802	8.0	S80	6					

Style	Working temperature range(°C)
SBF32	-55 to +125

## 5. Packaging form

The standard packaging form shall be in accordance with Table-2.

Table-2

Symbol	Packaging form		Standard packaging quantity / units
TP	Paper taping	8mm width, 4mm pitches	5,000 pcs.

## 6. Dimensions

6.1 The resistor shall be of the design and physical dimensions in accordance with Figure-1 and Table-3.

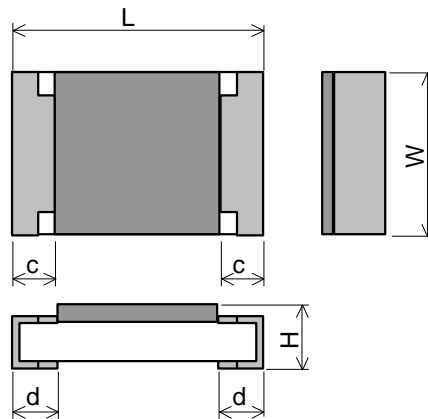


Figure-1

Table-3

Unit: mm

Style	L	W	H	c	d
SBF32	3.2±0.2	1.6±0.15	0.65±0.10	0.5±0.25	0.5±0.25

## 6.2 Net weight (Reference)

Style	Net weight(mg)
SBF32	10

## 7. Marking

The Marking symbol of Sub-clause 4.1 shall be marked on over coat side.

(Example) "S80" → Content: SBF32 802 AS

## 8. Performance

8.1 Unless otherwise specified, the standard range of atmospheric conditions for tests is as follows;

Ambient temperature: 5 °C to 35 °C, Relative humidity: 45 % to 85 %, Air pressure: 86 kPa to 106 kPa

If there is any doubt the results, measurements shall be made within the following:

Ambient temperature: 20 °C ± 2 °C, Relative humidity: 60 % to 70 %, Air pressure: 86 kPa to 106 kPa

8.2 The performance shall be satisfied in Table-4.

Table-4(1)

No.	Test items	Condition of test	Performance requirements	
1	Temperature rise	The fuse shall be mounted on the test substrate as shown in Figure-2. Measurement temp.: 10 °C to 30 °C Test current: Rated current The temperature at the hottest point on the surface of the fuse shall be measured after temperature equilibrium has been attained.	75 °C max.	
2	Time / current characteristic	The fuse shall be mounted on the test substrate as shown in Figure-2. Test current shall be applied for continuously.	Current	Pre-arcing time
			100% 200% 300% 800%	4h min. 1~120s max 0.02s~3.0s max 0.0015s~0.05s max
3	Terminal bond strength of the face plating	<u>JIS C 60068-2-21 Ue1</u> The fuse shall be mounted on the test substrate as shown in Figure-2. Bending value: 3 mm(Among the fulcrums: 90 mm) Duration: 10 s ± 1 s	Change of internal resistance: ±10% No evidence of mechanical damage.	
4	Resistance to soldering heat	Test by a piece. Temp. of solder bath: 260 °C ± 5 °C Immersion time: 10 s ± 1 s After immersion into solder, leaving the room temp. for 1h or more, and then measure the internal resistance.	Change of internal resistance: ±10% No evidence of appearance damage	
		• Reflow soldering Pre-heating: 150 °C ~ 180 °C, 120 s max. Peak: 260 °C ± 5 °C, 10 s max. Reflow cycle: 2 times After immersion into solder, leaving the room temp. for 1h or more, and then measure the internal resistance.		
5	Solderability	<u>JIS C 60068-2-58</u> Test by a piece Flux: Rosin-Methanol Temp. of solder bath: 235 °C ± 5 °C Immersion time: 2 s ± 0.5 s	The surface of terminal immersed shall be min. of 95 % covered with a new coating of solder.	

Table 4(2)

No.	Test items	Condition of test	Performance requirements
6	Rapid change temperature	JIS C 60068-2-14 Na The fuse shall be mounted on the test substrate as shown in Figure-2. Lower temperature: -55 °C Upper temperature: +125 °C Duration of exposure at each temperature: 30 min. Number of cycles: 5 cycles	Change of internal resistance: ±10% No evidence of appearance damage

## 9. Test substrate

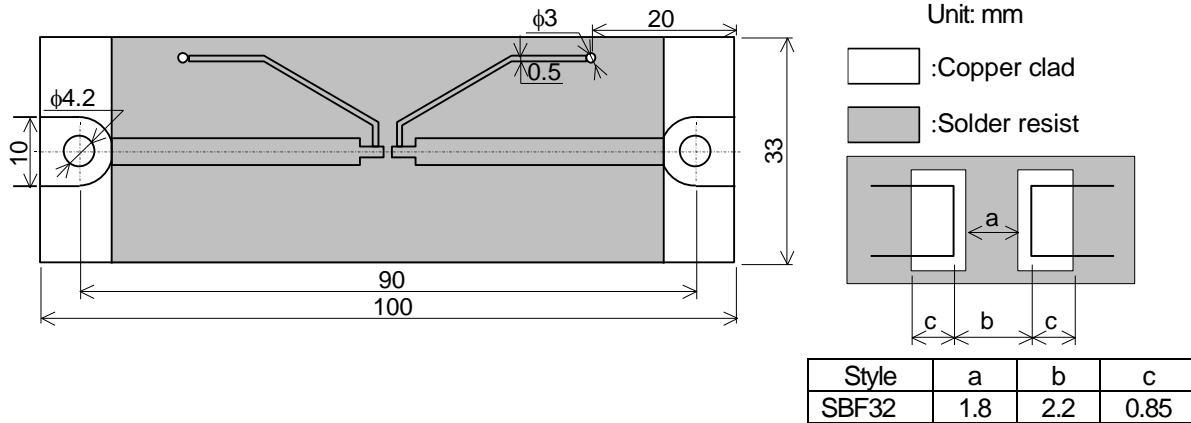


Figure-2 SBF TEST SUBSTRATE

Remark 1). Material: Epoxide woven glass  
 Thickness: 1.6mm Thickness of copper clad: 0.035mm

## 10. Taping

10.1 Applicable documents JIS C 0806-3: 2014, EIAJ ET-7200C: 2010

### 10.2 Taping dimensions

Paper taping (8mm width, 4mm pitches)

Taping dimensions shall be in accordance with Figure-3 and Table-5.

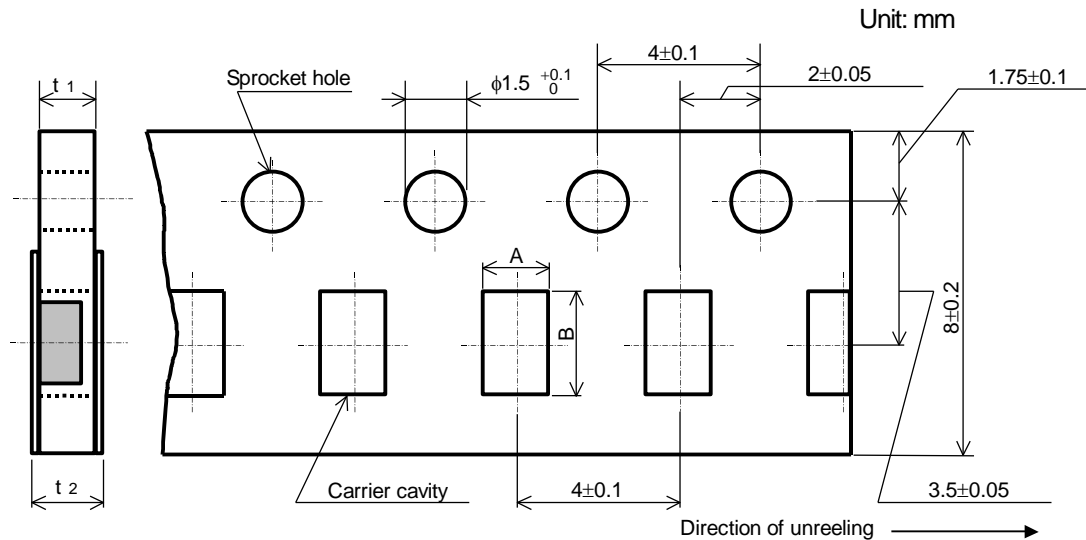


Figure-3

Table-5

Unit: mm

Style	A	B	t <sub>1</sub>	t <sub>2</sub>
SBF32	2.0±0.15	3.6±0.2	0.8±0.1	1.0max.

- 1). The cover tapes shall not cover the sprocket holes.
- 2). Tapes in adjacent layers shall not stick together in the packing.
- 3). Components shall not stick to the carrier tape or to the cover tape.
- 4). Pitch tolerance over any 10 pitches  $\pm 0.2$ mm.
- 5). The peel strength of the top cover tape shall be within 0.1N to 0.5N on the test method as shown in the following Figure-4.
- 6). When the tape is bent with the minimum radius for 25 mm, the tape shall not be damaged and the components shall maintain their position and orientation in the tape.
- 7). In no case shall there be two or more consecutive components missing.  
The maximum number of missing components shall be one or 0.1%, whichever is greater.
- 8). The fuses shall be faced to upward at the over coating side in the carrier cavity.

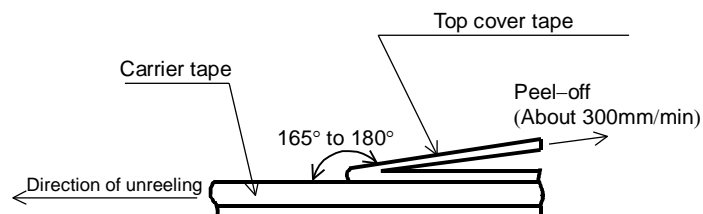


Figure-4

### 10.3 Reel dimension

Reel dimensions shall be in accordance with the following Figure-5 and Table-6.

Plastic reel (Based on EIAJ ET-7200C)

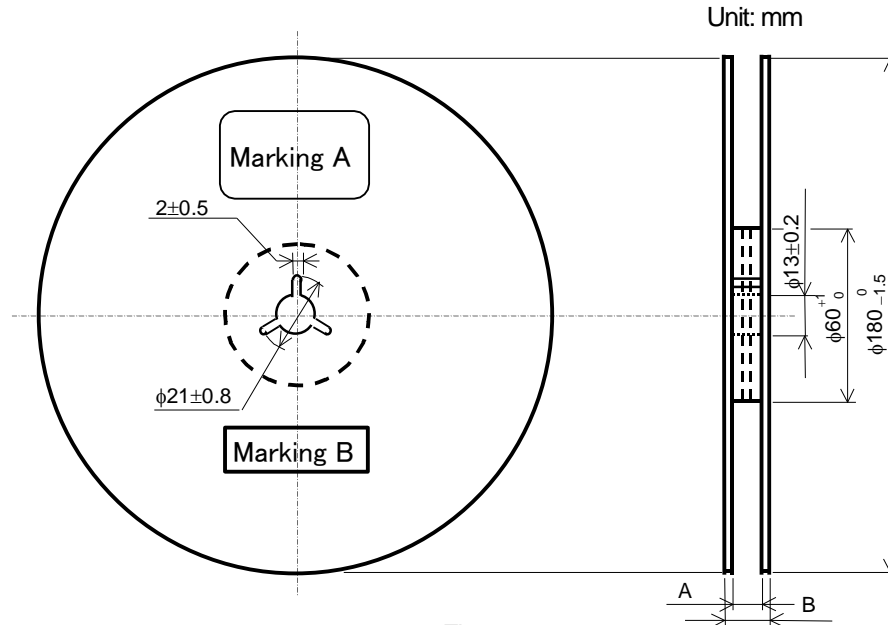


Figure-5

Table-6

Unit: mm

Style	A	B	Note
SBF32	9 <sup>+1.0</sup> / <sub>0</sub>	11.4±1.0	Injection molding
		13±1.0	Vacuum forming

Note: Marking label shall be marked on a place of Marking A or two place of marking A and B.

### 10.4 Leader and trailer tape.

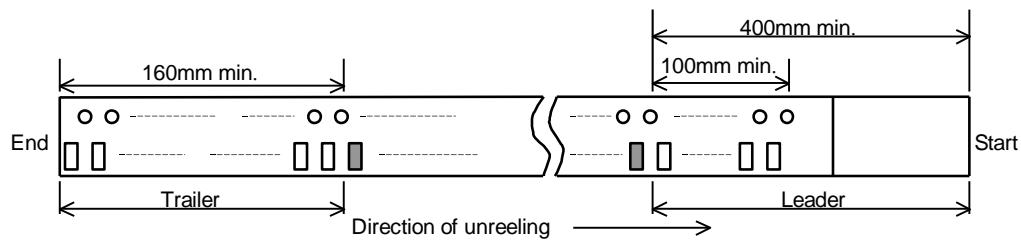


Figure-6

### 11. Marking on package

The label of a minimum package shall be legibly marked with follows.

#### 11.1 Marking A

- (1) Classification (Style, Rated current, Optional code, Packaging form) (2) Quantity (3) Lot number  
(4) Manufacturer's name or trade mark (5) UL and /or C-UL recognized component mark (6) Others

#### 11.2 Marking B (KAMAYA Control label)

## 12. Recommended Derating for Rated Current

This fuse will recommend use by the current reduction value according to the following derating curve.

- Nominal Derating

Nominal Derating  $\leq$  75% of Rated Current

- Temperature Derating

Please refer to the following graph regarding the current derating value for ambient temperature.

Ex.) If SBF32 801 (Rated Current 8.0A) is used under ambient temperature 70°C,

Kamaya recommends, less than the current value derated as below,

Rated Current :  $8.0A \times (\text{Nominal Derating} : 75\% \times \text{Temperature Derating} : 80\%) = 4.8A$

### Derating curve

